

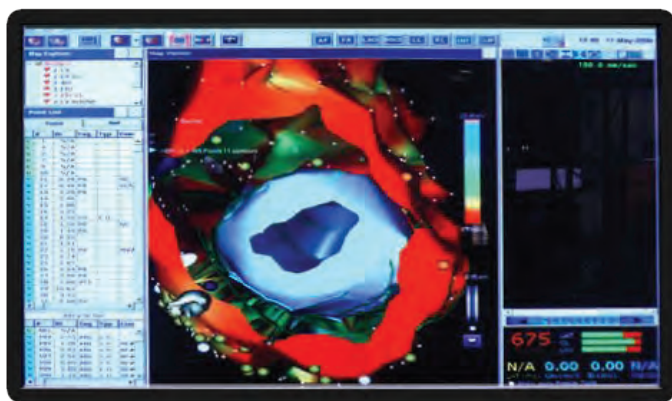
# Video for Medical Applications



# Overview

Leading hospitals and medical centers around the world rely on RGB Spectrum to improve quality of care, surgical efficiency and patient safety.

Over 30 years of video processing expertise in mission critical situations is what leads people to RGB Spectrum. Our video wall processors, multi-image viewers, switchers, signal extension devices and keyboard/mouse control solutions help distribute and display data and visual information, offering medical staff instant access to real-time patient data.



From operating rooms, endoscopic suites and catheterization labs, to cardio & neurosurgery rooms, the need is clear: quick access to a range of real-time and archived imagery, with the greatest clarity possible.

Data and imagery from multiple inputs and PCs can be accessed with a single keyboard and mouse. RGB Spectrum's products are designed to take advantage of the latest in image processing resolutions and standards.

In addition to standard offerings, RGB Spectrum also develops custom solutions for specific needs by working with leading integrators and customers.

We recognize the need to leverage existing, legacy equipment while incorporating new technologies such as AV over IP. Our hybrid approach brings yesterday and tomorrow together today.



*"The decision to select RGB Spectrum was definitely the right one. This project required high image quality, reliability, and intuitive functionality."*

*– Lead Project Design Engineer*

# Case Studies

## Catheterization Lab

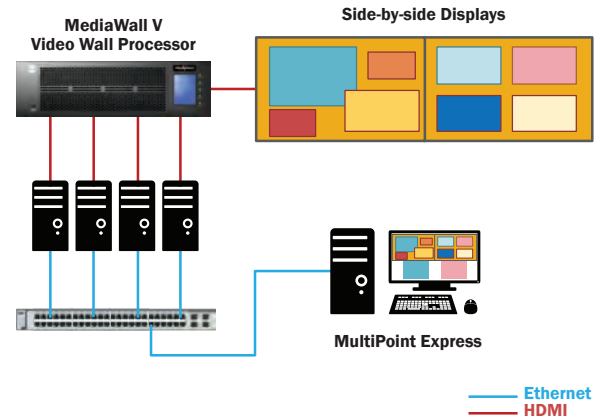
### Overview / Problem

A new catheterization lab in a leading medical center wanted an efficient way to display and control medical imagery used in this state-of-the-art facility.

Operating room personnel required high resolution image processing and they needed to control multiple computers providing vital imagery.

### Solution

RGB Spectrum's MediaWall® V image processor with MultiPoint® Express KVM control enables personnel to view and control a variety of sources in real time. Images are displayed in multiple windows on two high resolution 4K monitors. Patented technology allows the staff to control multiple computers with a single keyboard & mouse.



## Operating Room

### Overview / Problem

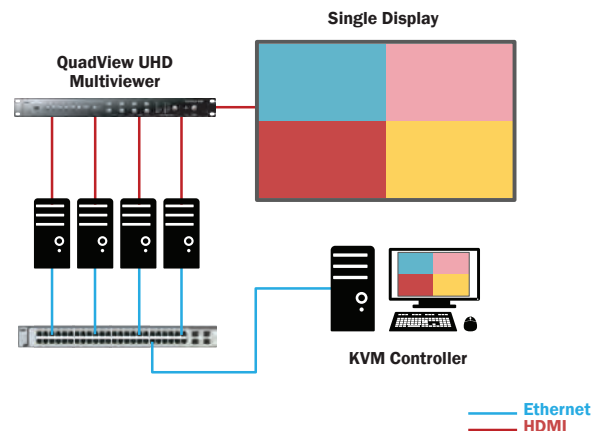
A leading medical center is working with RGB Spectrum to develop a specialized display and control solution to view high-resolution imagery and gain keyboard and mouse (KVM) control of multiple computer systems.

Operating room personnel required high resolution image processing and they needed to control multiple computers providing vital imagery.

### Solution

RGB Spectrum's QuadView® UHD multiviewer is being integrated with custom KVM control to enable personnel to view and control a variety of sources in real time.

Images are displayed in multiple windows on a single high resolution 4K monitor. Exclusive technology allows the staff to any computer displayed on screen with a single keyboard & mouse.



## Monitoring Station

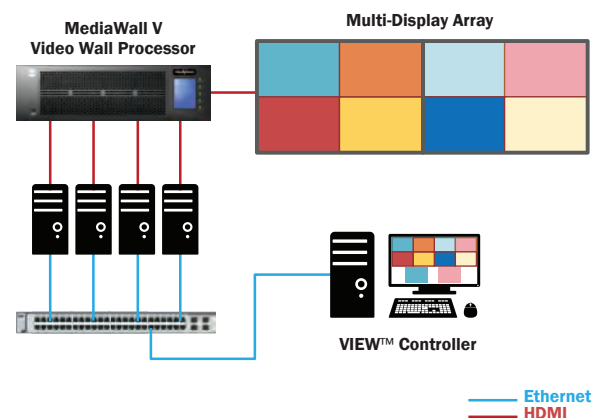
### Overview / Problem

A major Medical Center needed to provide specialized cardiac care for three affiliated hospitals. Previously, patient vitals had to be monitored at each hospital separately, resulting in duplicate equipment and personnel.

### Solution

A centralized monitoring hub with redundant MediaWall® V wall processors was built allowing a single technician to monitor patient vitals at all three hospitals. Data from each hospital is captured by a local computer and displayed on the wall.

MediaWall V's unparalleled scaling provides the technicians with the details needed when zooming in on a specific problem.





## Corporate Headquarters

---

1101 Marina Village Parkway, Suite 101  
Alameda, California 94501

(510) 814-7000    sales@rgb.com

Visit Our Website for Worldwide Offices

---

[www.rgb.com](http://www.rgb.com)

