



UNPARALLELED EASE OF USE IN A ROBUST PACKAGE

DVI Fiber Optic Cables

- Plug & Play Convenience**
- Transmit DVI up to 100 meters**
- Supports resolutions up to 1920X1200**
- Fully compliant with DVI 1.0**
- All components housed in DVI-D shell**
- R,G,B and Clock signal transmitted by optical fibers**
- DDC signal and +5VDC power transmitted by copper wire**
- Full EDID support via DDC**
- Internally and Externally Powered Versions Available**
- Low EMI / RFI profile**
- UL plenum rated cable**

XtendView® Plug & Play™ DVI Fiber Optic Cables deliver flawless, noise-free digital connection over distances up to 100 meters (330'). The design incorporates all of the optical and electronic components in the connector shell, simplifying installation, while the optical fiber format eliminates signal transmission issues associated with copper.

The cable may be directly powered via the DVI-D pins on the graphics adapter card at the transmit end. If external power is required, the cable may be ordered with the appropriate power supply.

Four cores of hard polymer clad fiber carry the picture and synchronizing information. DDC signals, including EDID, are carried over an internal copper wire.

DTV resolutions for 480i, 480p, 720p, 1080i and 1080p are supported. Compatible computer resolutions include VGA, SVGA, XGA, SXGA, UXGA and WUXGA, up to 1900 x 1200 pixels.

Coupled with RGB's Linx™ DVI 8x8 Switcher, XtendView Fiber Cables enable a complete end-to-end signal distribution solution. Digital switching plus optical transmission together provide peak performance for even the most demanding applications.

Available Lengths:

- 30 meters**
- 50 meters**
- 70 meters**
- 100 meters**

RGB SPECTRUM®
a visual
communications
company™

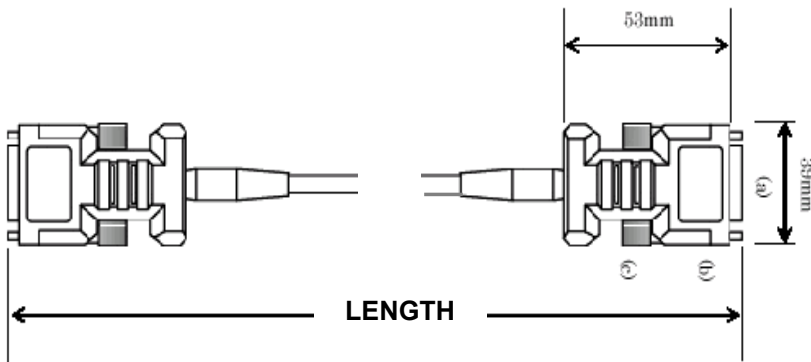


Specifications

Supported Resolutions	VGA, SVGS, XGA, WXGA, SXGA, HDTV(1080P), UXGA
Maximum Pixel Clock	165 MHz
Available Lengths	30m (100 ft), 50m (165 ft), 70m (230 ft), 100m (330 ft)
Powering Options	Pin-powered from send source or by external power supply. Specify version when ordering.
Power Requirement (max)	350ma @ 5.5v Note: power is supplied to transmit unit.
Operating temperature	0 ~ 50°C (32 ~ 122°F)
Permissible Tensile Load	50 kg (110 lbs)
Permissible Bending Radius	50mm (2 in)
Connector	DVI-D SingleLink [18 pins]
Fiber Type	H-PCF Graded Index Multi-mode
Cable Jacket Material	Flame retardant PVC
Optical Source	850nm VCSEL
Approvals	FCC class B, CE, VCCI

RGB SPECTRUM®

a visual
communications
company™



For applications where the cable must be pulled through conduit or troughs, *XtendView InstallEase™* cables offer a unique and elegant solution with the same high quality performance. Details available on a separate brochure.