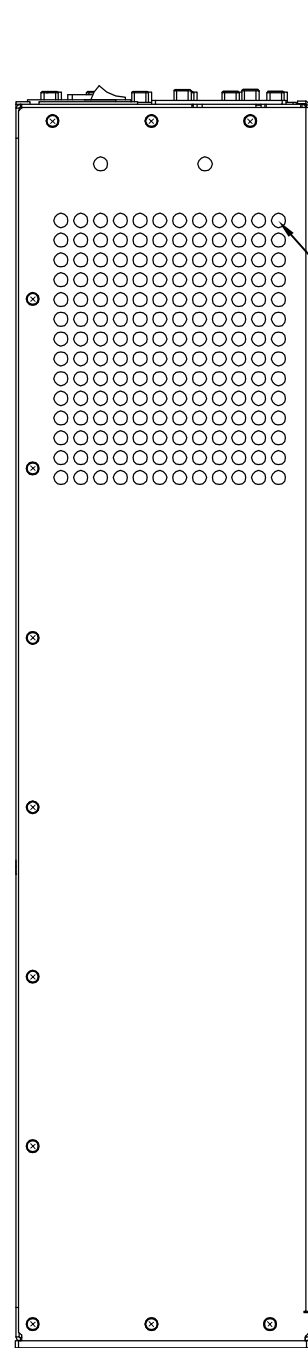
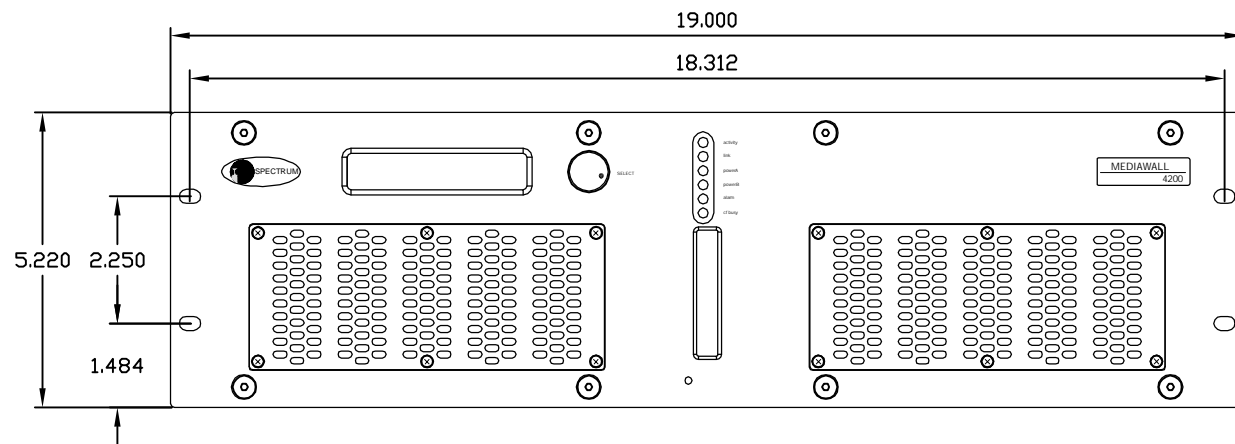
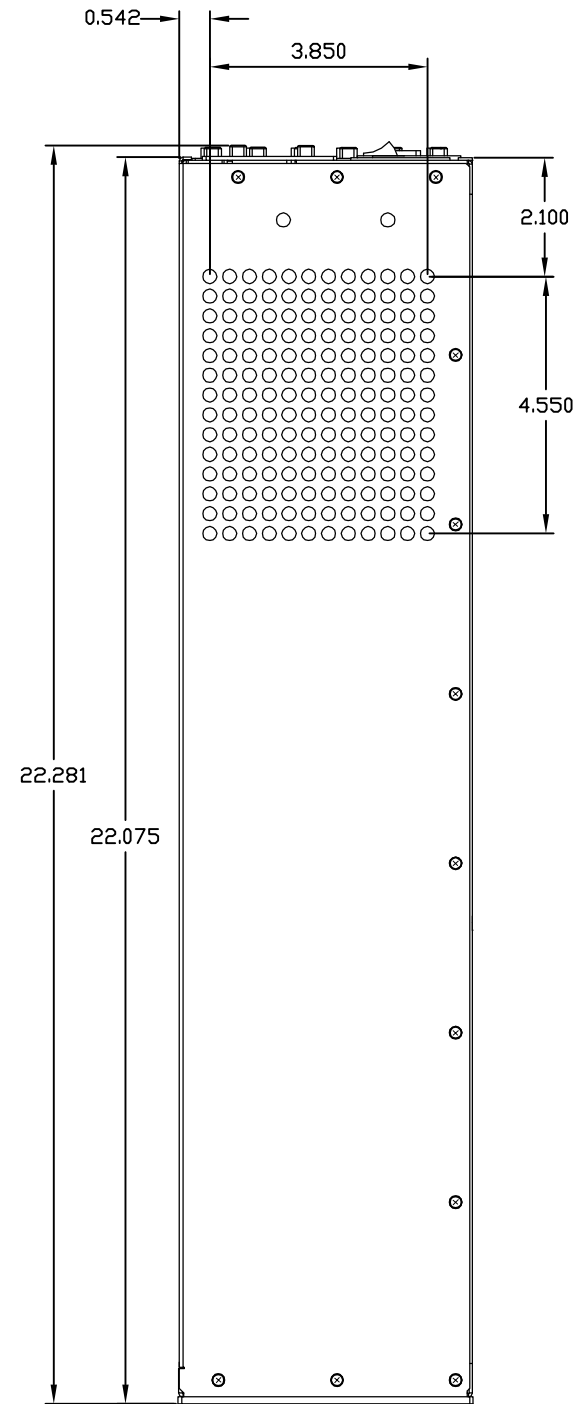
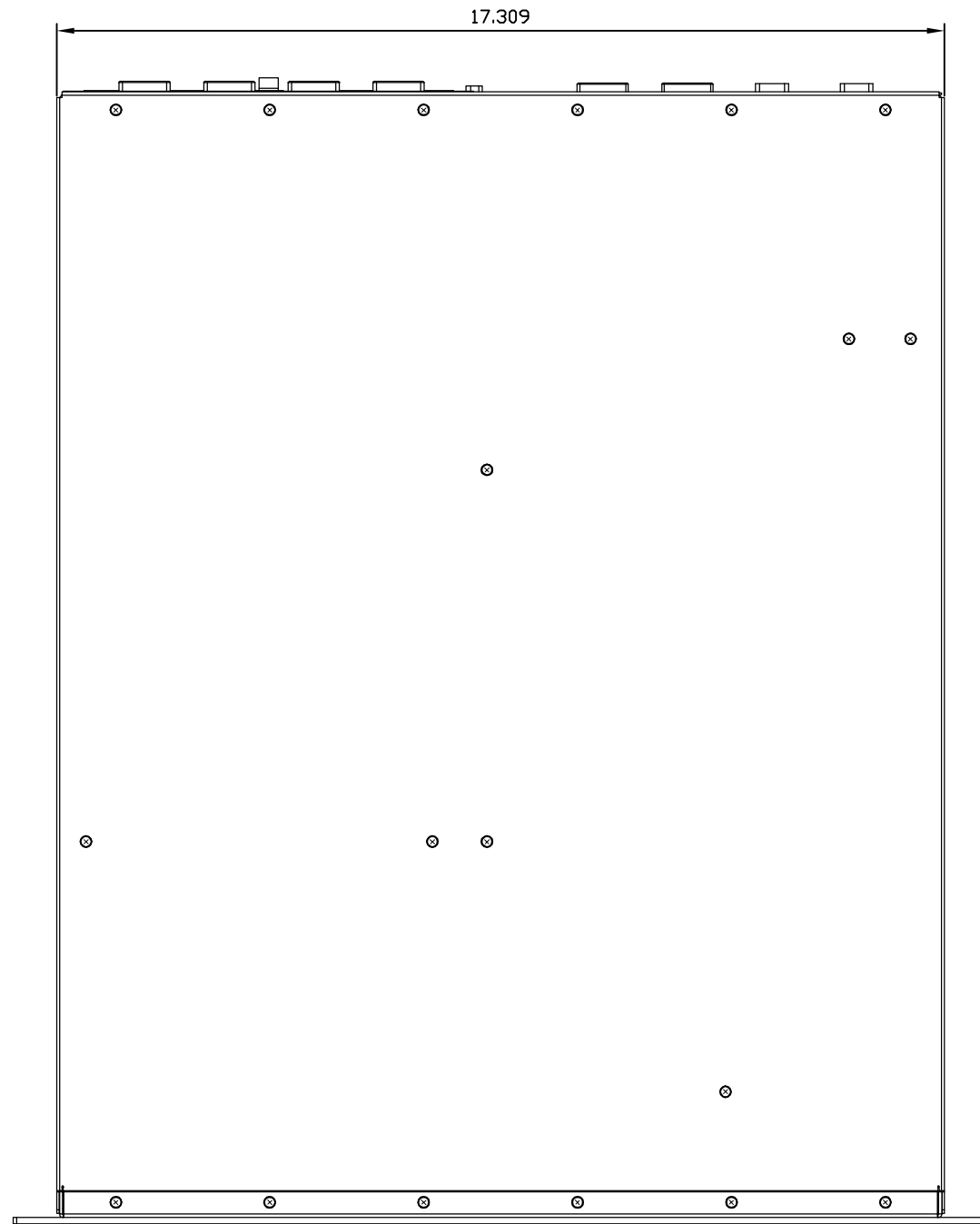



REVISIONS				
REV	DATE	BY	DESCRIPTION	APPROVAL
1	02/23/10	HL	CUSTOMER DWG	---

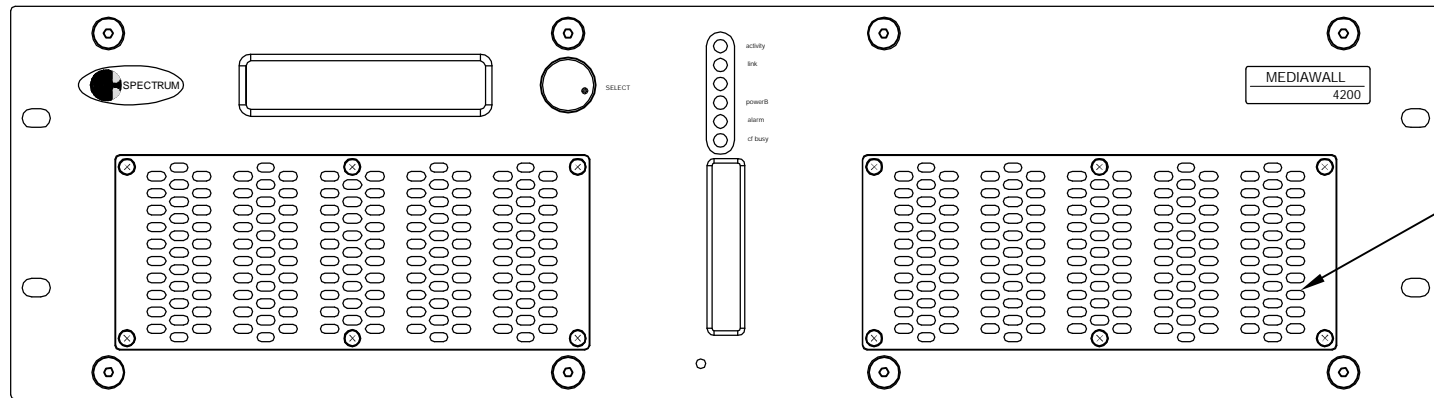


AIR OUTLET
BOTH SIDE

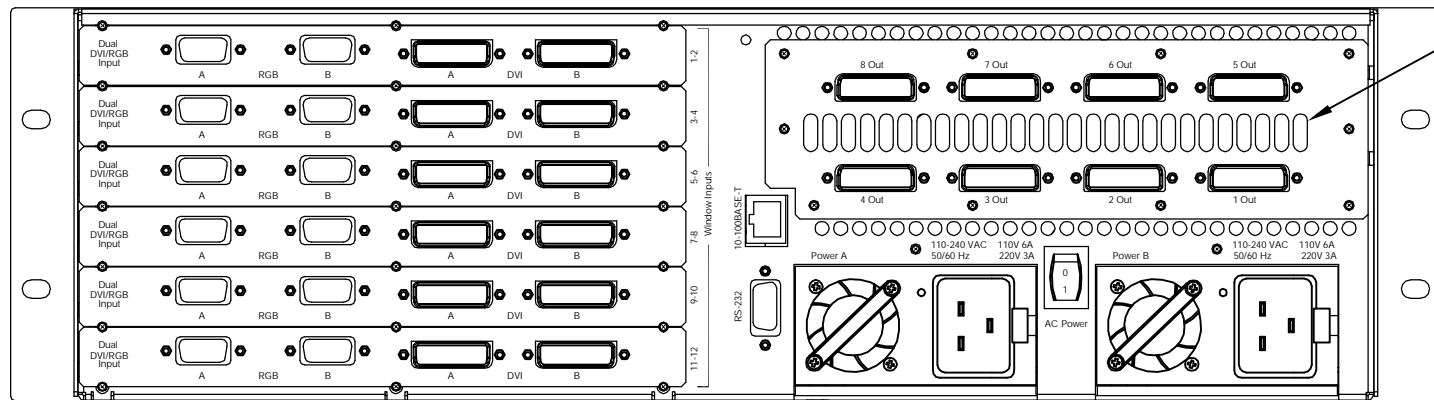


UNLESS OTHERWISE SPECIFIED DIMENSIONS ARE IN INCHES TOLERANCES ARE:		 RGB SPECTRUM 950 MARINA VILLAGE PARKWAY, ALAMEDA, CALIFORNIA	
FRACTIONS ± 1/16	DECIMALS .X ± .03 .XX ± .02 .XXX ± .010		
ORIGINATION	DATE	TITLE:	
DRAWN HL	02/23/10	MW 4200	
CHECKED ---	---	SIZE D	SCALE FULL
		DWG NO. SK-0114	REV 1
DO NOT SCALE DRAWING		SHEET 1 OF 2	


REVISIONS				
REV	DATE	BY	DESCRIPTION	APPROVAL
1	03/24/09	HL	CUSTOMER DWG	---



FRONT VIEW



REAR VIEW

UNLESS OTHERWISE SPECIFIED DIMENSIONS ARE IN INCHES TOLERANCES ARE:		 RGB SPECTRUM 950 MARINA VILLAGE PARKWAY, ALAMEDA, CALIFORNIA	
FRACTIONS ± 1/16	DECIMALS .X ± .03 .XX ± .02 .XXX ± .010		
ORIGINATION	DATE	TITLE:	
DRAWN HL	02/23/10	MW 4200	
CHECKED ---	---	SIZE D	SCALE FULL
		DWG NO. SK-0114	REV 1
DO NOT SCALE DRAWING		SHEET 2 OF 2	