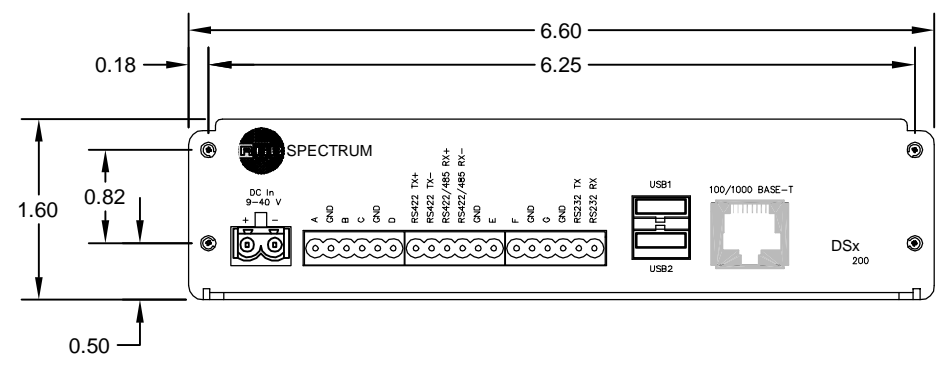
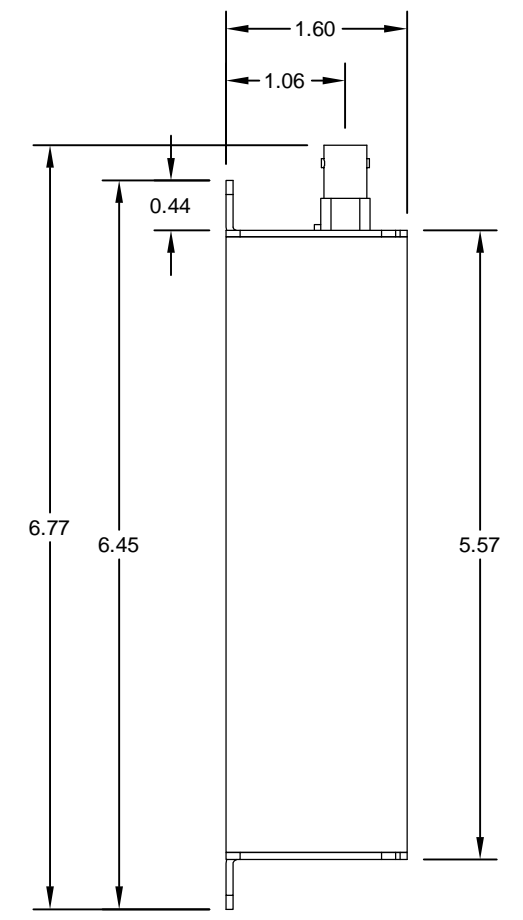
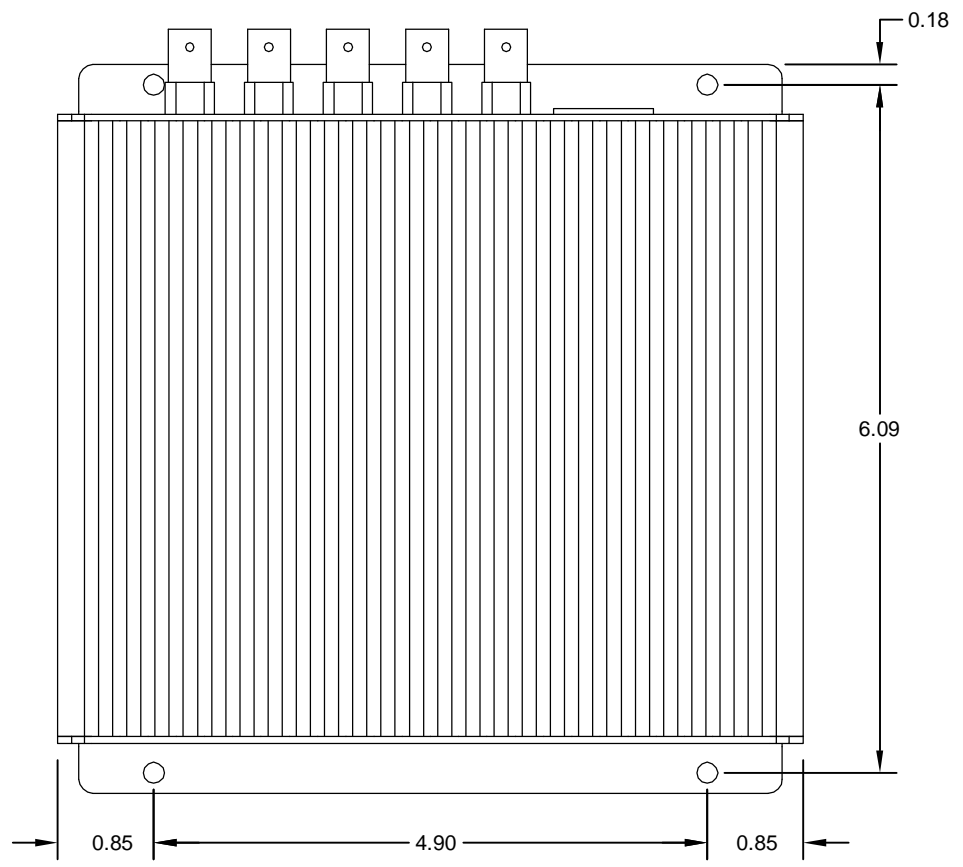
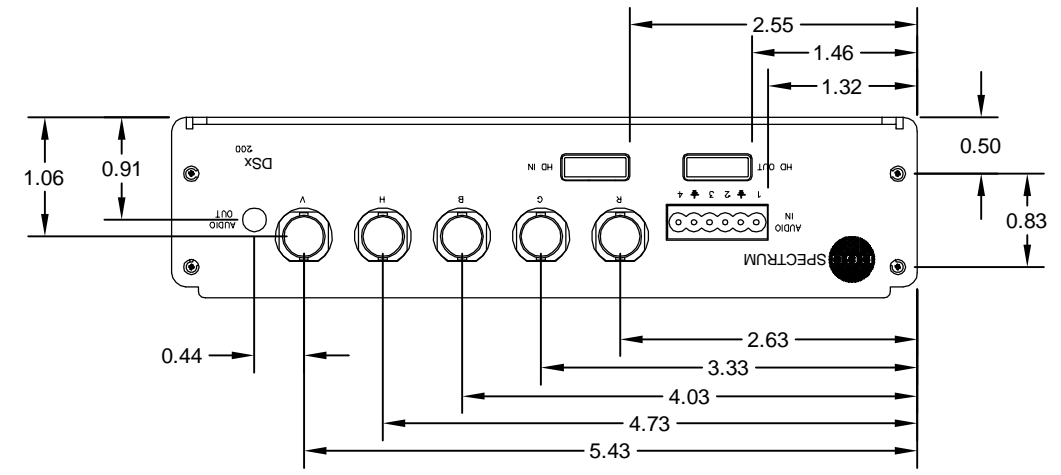


REVISIONS				
REV	DATE	BY	DESCRIPTION	APPROVAL
1	06/16/10	HL	CUSTOMER DWG	---



UNLESS OTHERWISE SPECIFIED  
DIMENSIONS ARE IN INCHES  
TOLERANCES ARE:  
FRACTIONS ± 1/16    DECIMALS .X ± .03    ANGLES ± 1/2°  
.XX ± .02  
.XXX ± .010



ORIGINATION	DATE	TITLE:			
DRAWN	HL	06/16/10	DSX, 200		
CHECKED	---	---	SIZE	SCALE	DWG NO.
			D	FULL	SK-0109-05
					REV 1
DO NOT SCALE DRAWING				SHEET 1 OF 1	