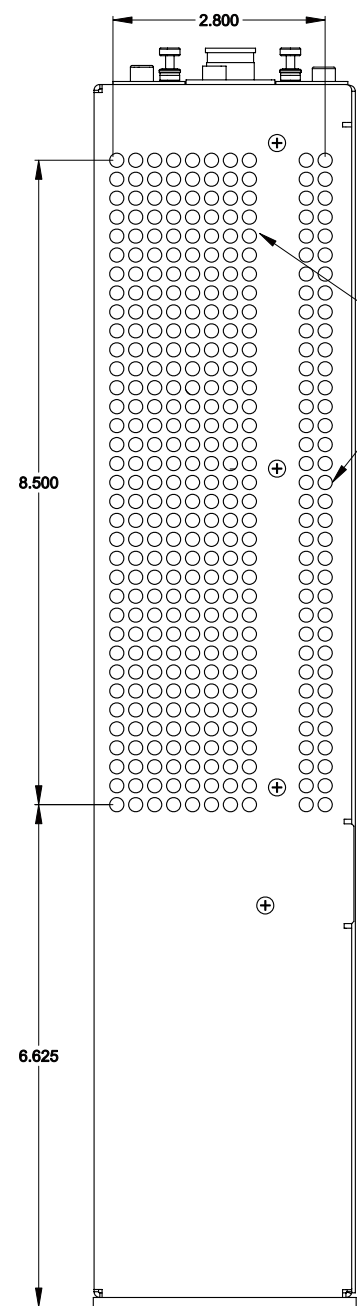
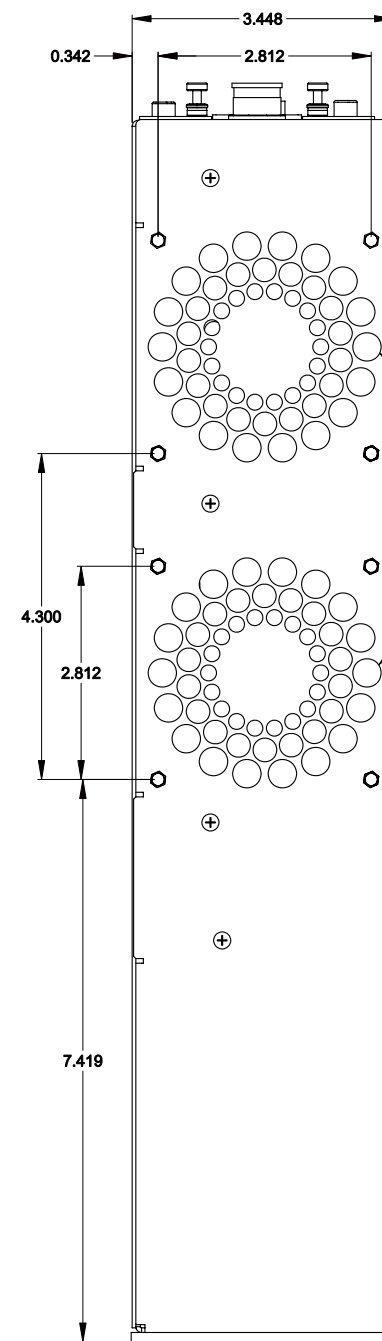
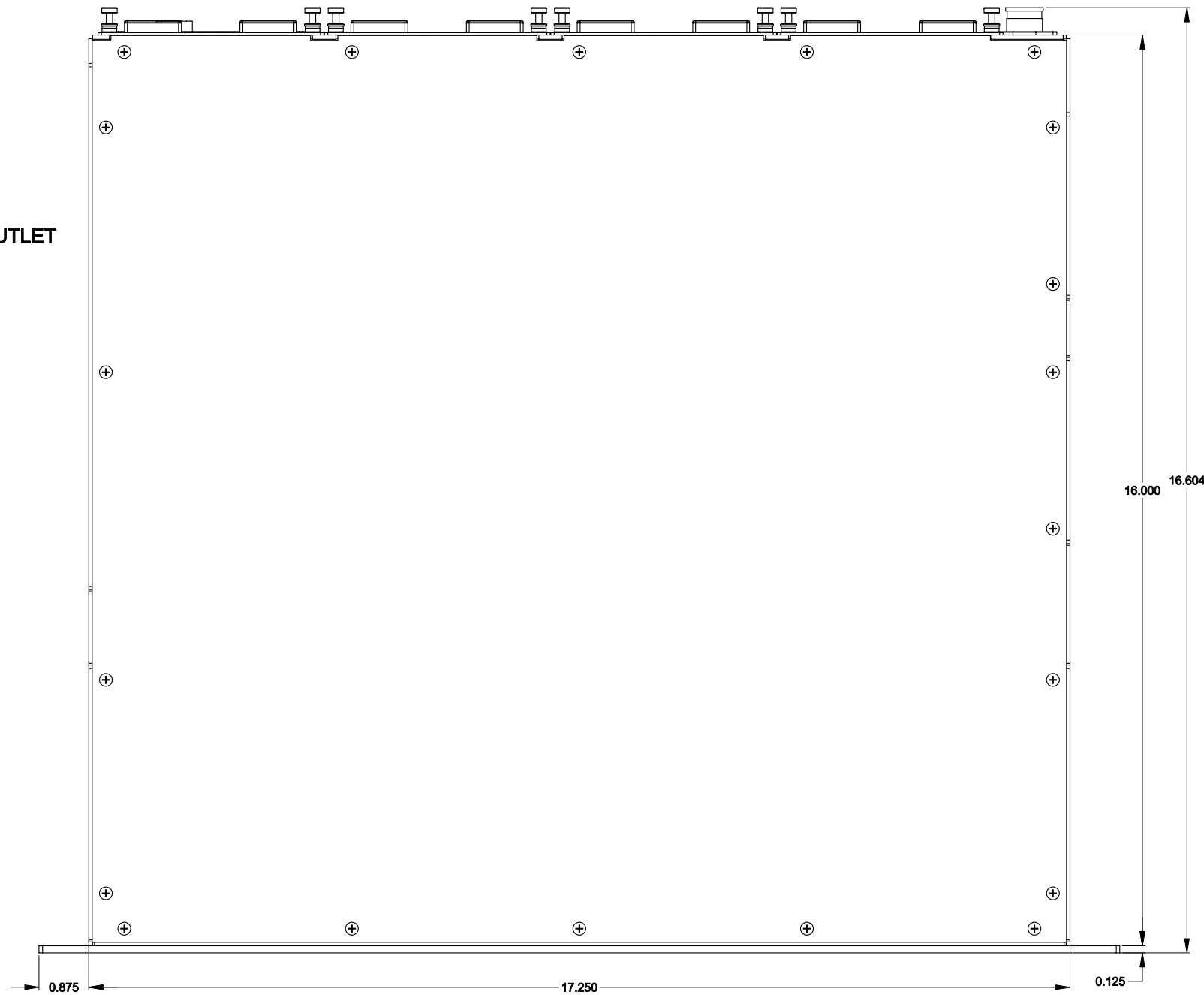


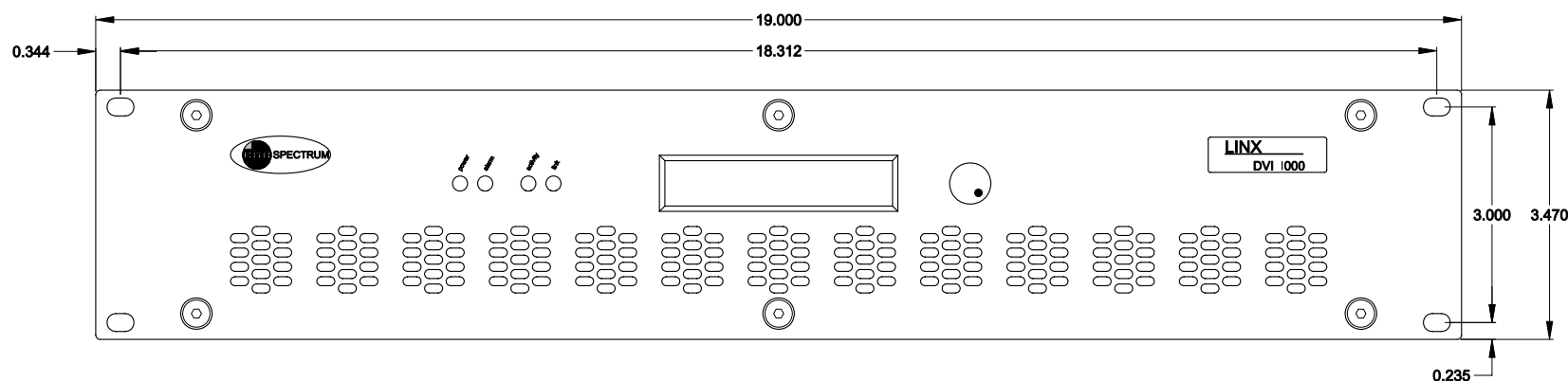
REVISIONS			
REV	DATE	BY	DESCRIPTION
1	11/03/09	HL	CUSTOMER DWG




AIR OUTLET

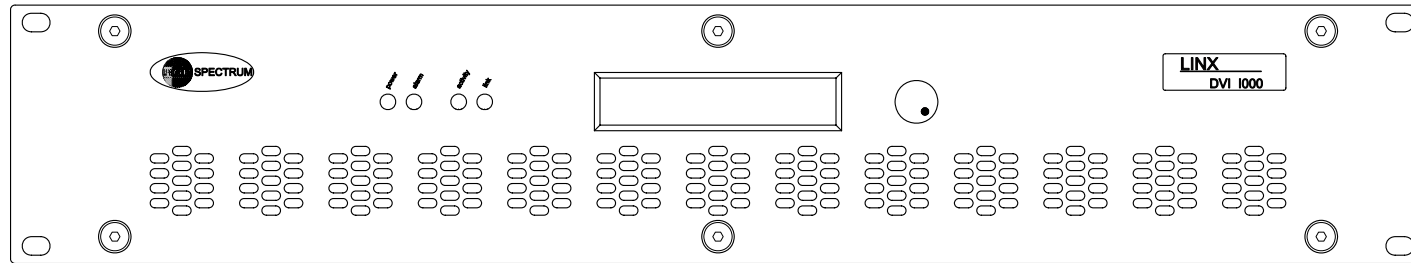


AIR INLET

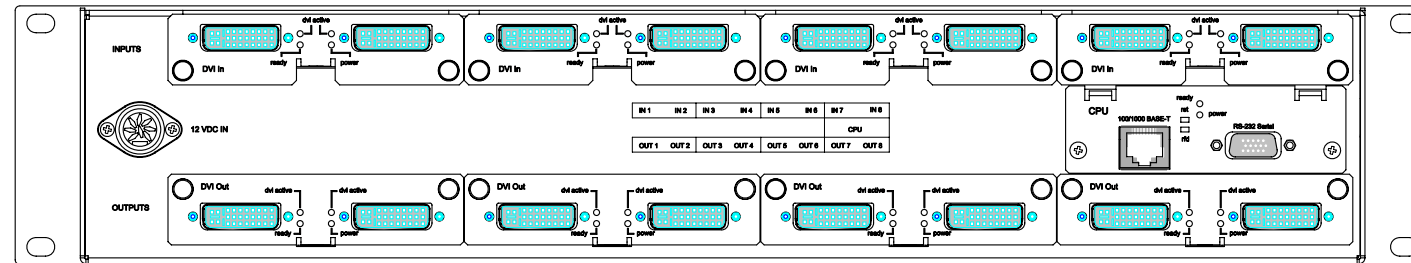


UNLESS OTHERWISE SPECIFIED DIMENSIONS ARE IN INCHES TOLERANCES ARE:			 SPECTRUM 950 MARINA VILLAGE PARKWAY, ALAMEDA, CALIFORNIA	
FRACTIONS ± 1/16	DECIMALS .X ± .03 .XX ± .02 .XXX ± .010	ANGLES ± 1/2°		
ORIGINATION	DATE	TITLE: LINX 1000		
DRAWN HL	11/03/09	SIZE D	SCALE FULL	DWG NO. 842-9585-03
CHECKED ---	---	DO NOT SCALE DRAWING		REV 1
				SHEET 1 OF 2


REVISIONS				
REV	DATE	BY	DESCRIPTION	APPROVAL
			SEE SHEET 1	



FRONT VIEW



REAR VIEW

UNLESS OTHERWISE SPECIFIED DIMENSIONS ARE IN INCHES TOLERANCES ARE:		 SPECTRUM 950 MARINA VILLAGE PARKWAY, ALAMEDA, CALIFORNIA	
FRACTIONS ± 1/16	DECIMALS .X ± .03 .XX ± .02 .XXX ± .010		
ORIGINATION	DATE	TITLE: LINX 1000	
DRAWN	HL	11/03/09	REV
CHECKED	---	---	DWG NO. 842-9585-03
DO NOT SCALE DRAWING		SHEET	2 OF 2