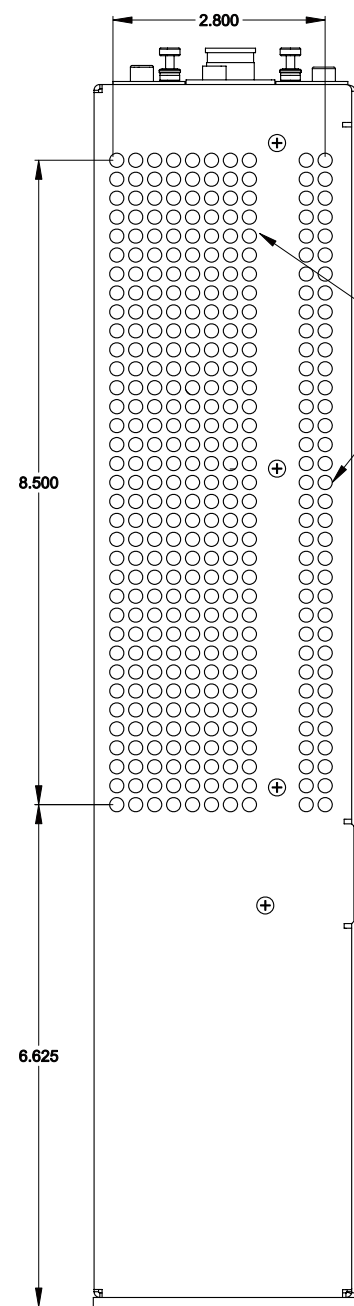
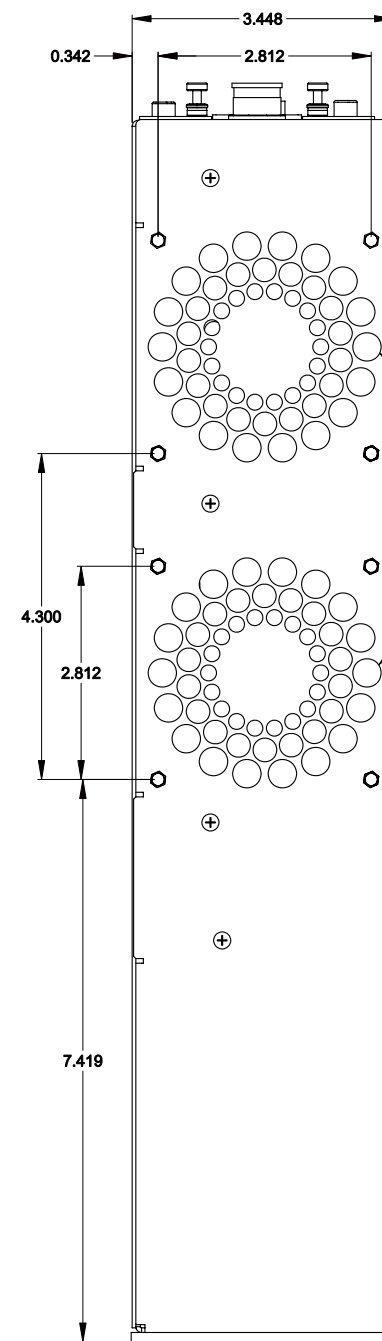
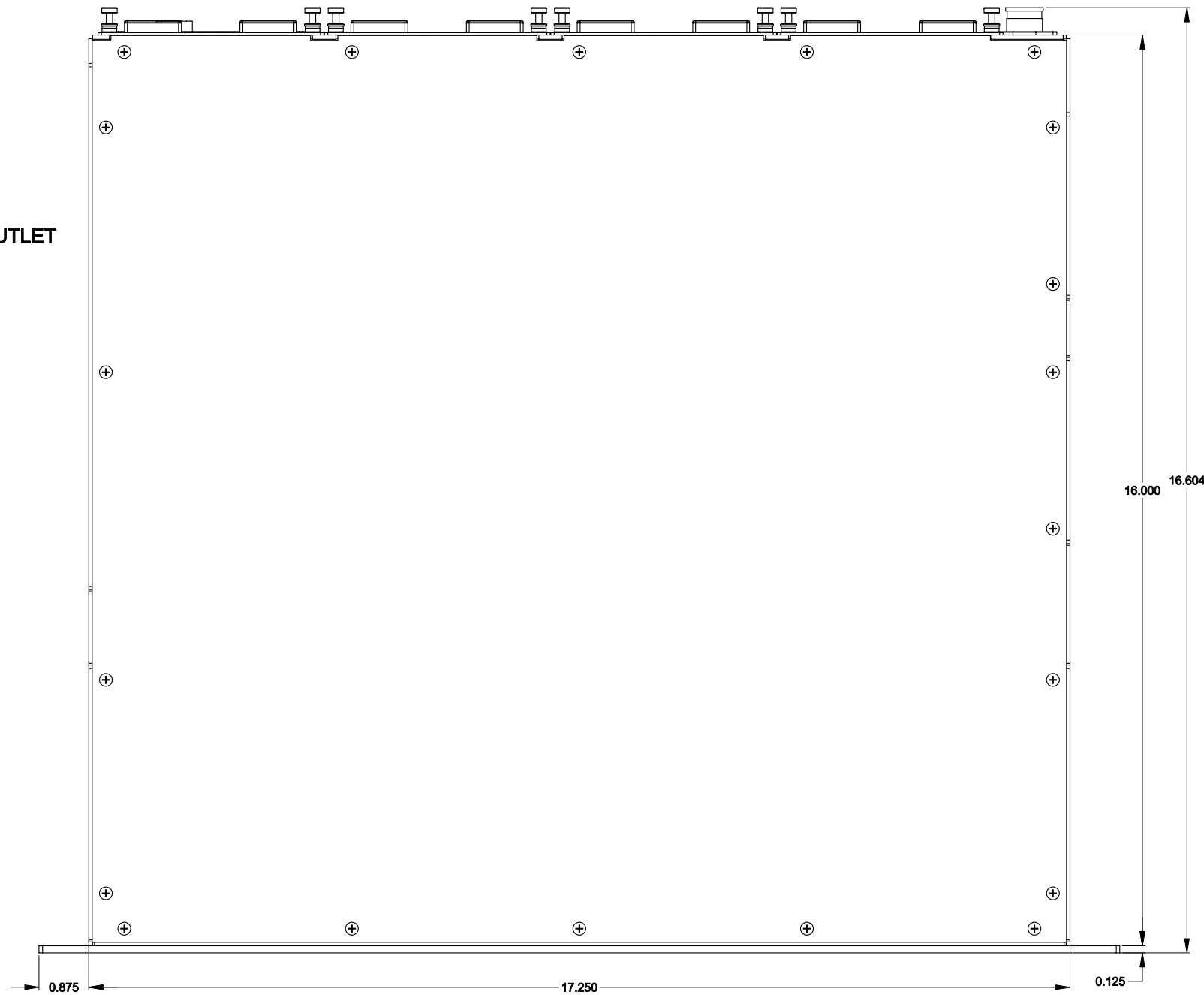


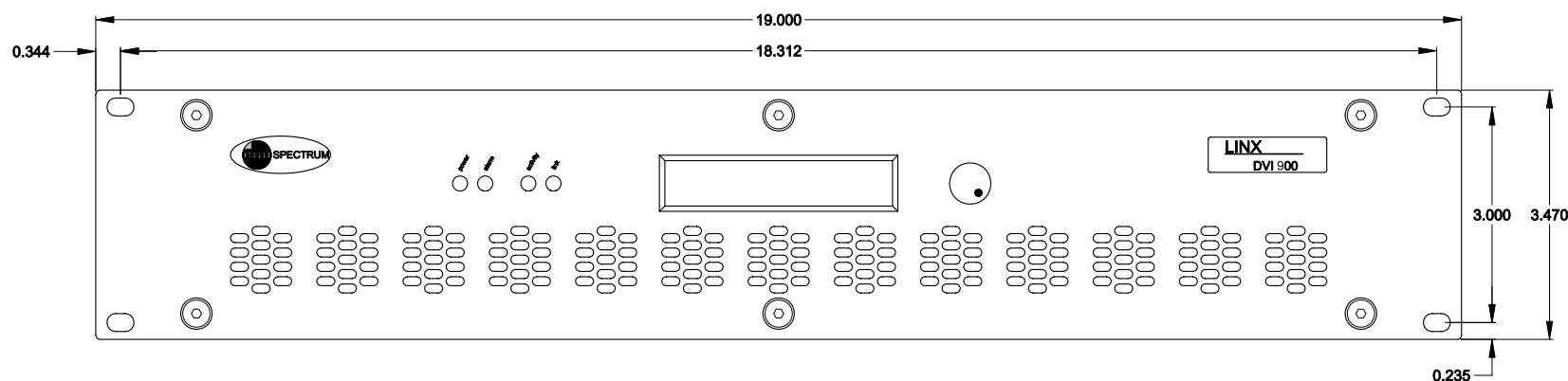
REVISIONS				
REV	DATE	BY	DESCRIPTION	APPROVAL
1	11/03/09	HL	CUSTOMER DWG	---




AIR OUTLET

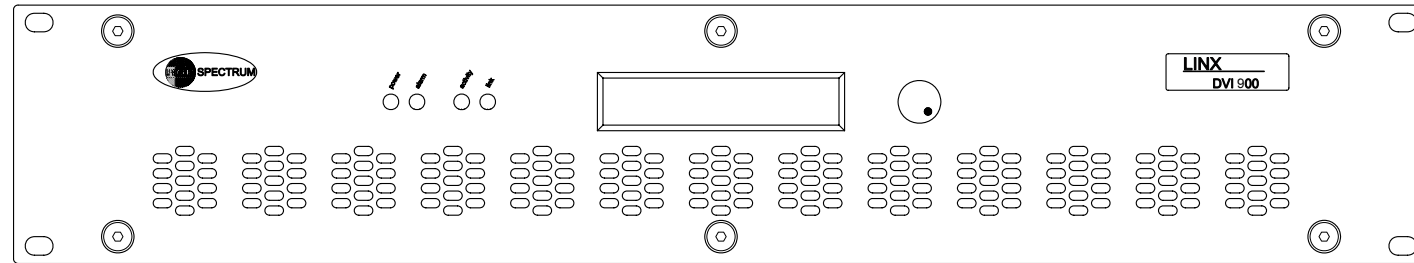


AIR INLET

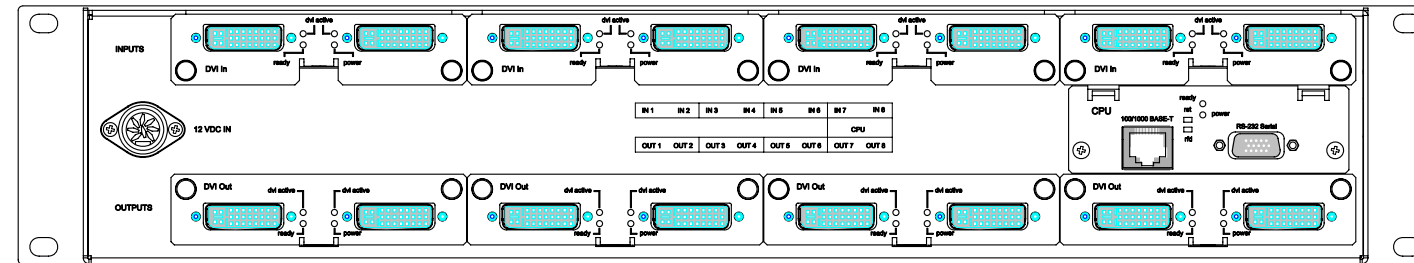


UNLESS OTHERWISE SPECIFIED DIMENSIONS ARE IN INCHES TOLERANCES ARE:			 SPECTRUM 950 MARINA VILLAGE PARKWAY, ALAMEDA, CALIFORNIA		
FRACTIONS ± 1/16	DECIMALS .X ± .03 .XX ± .02 .XXX ± .010	ANGLES ± 1/2°			
ORIGINATION	DATE	TITLE: LINX 900			
DRAWN HL	11/03/09	SIZE D	SCALE FULL	DWG NO. 842-9585-02	REV 1
CHECKED ---	---	DO NOT SCALE DRAWING			SHEET 1 OF 2

REVISIONS				
REV	DATE	BY	DESCRIPTION	APPROVAL
			SEE SHEET 1	



FRONT VIEW



REAR VIEW

UNLESS OTHERWISE SPECIFIED DIMENSIONS ARE IN INCHES TOLERANCES ARE: FRACTIONS DECIMALS ANGLES $\pm 1/16$.X $\pm .03$ $\pm 1/2^\circ$.XX $\pm .02$.XXX $\pm .010$		SPECTRUM <small>950 MARINA VILLAGE PARKWAY, ALAMEDA, CALIFORNIA</small>	
ORIGINATION	DATE	TITLE: LINX 900	
DRAWN	HL	11/03/09	REV
CHECKED	---	---	---
SIZE D		SCALE FULL	DWG NO. 842-9585-02
DO NOT SCALE DRAWING		SHEET	2 OF 2