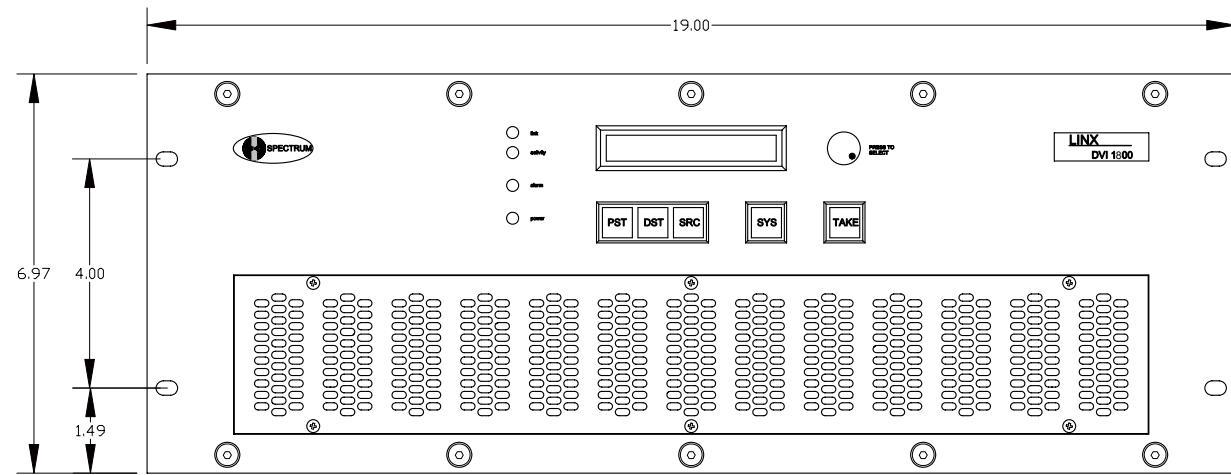
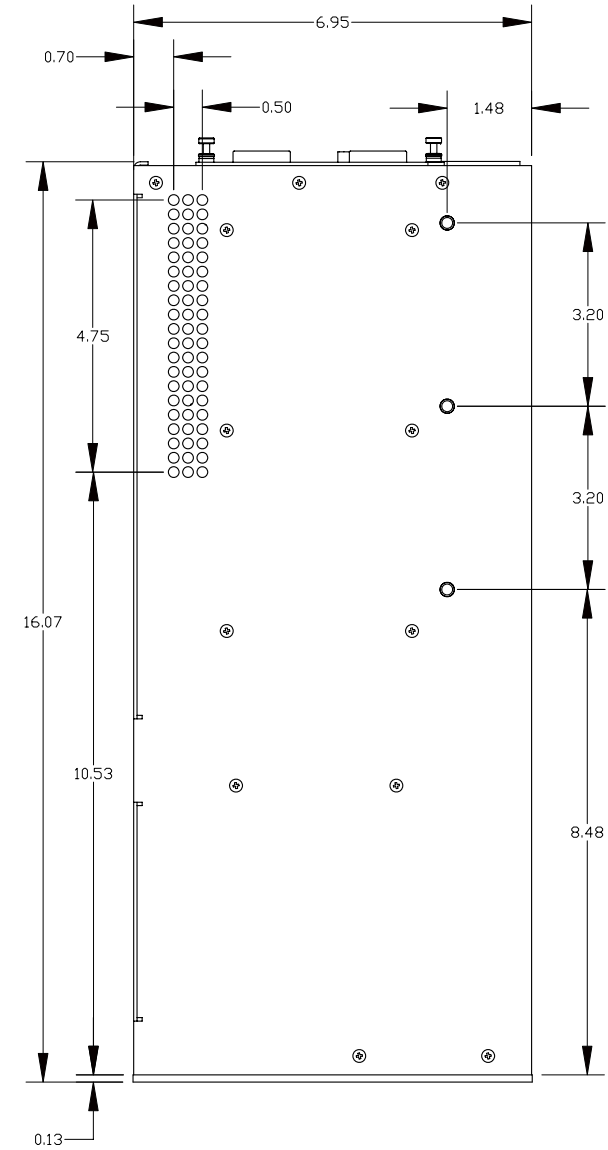
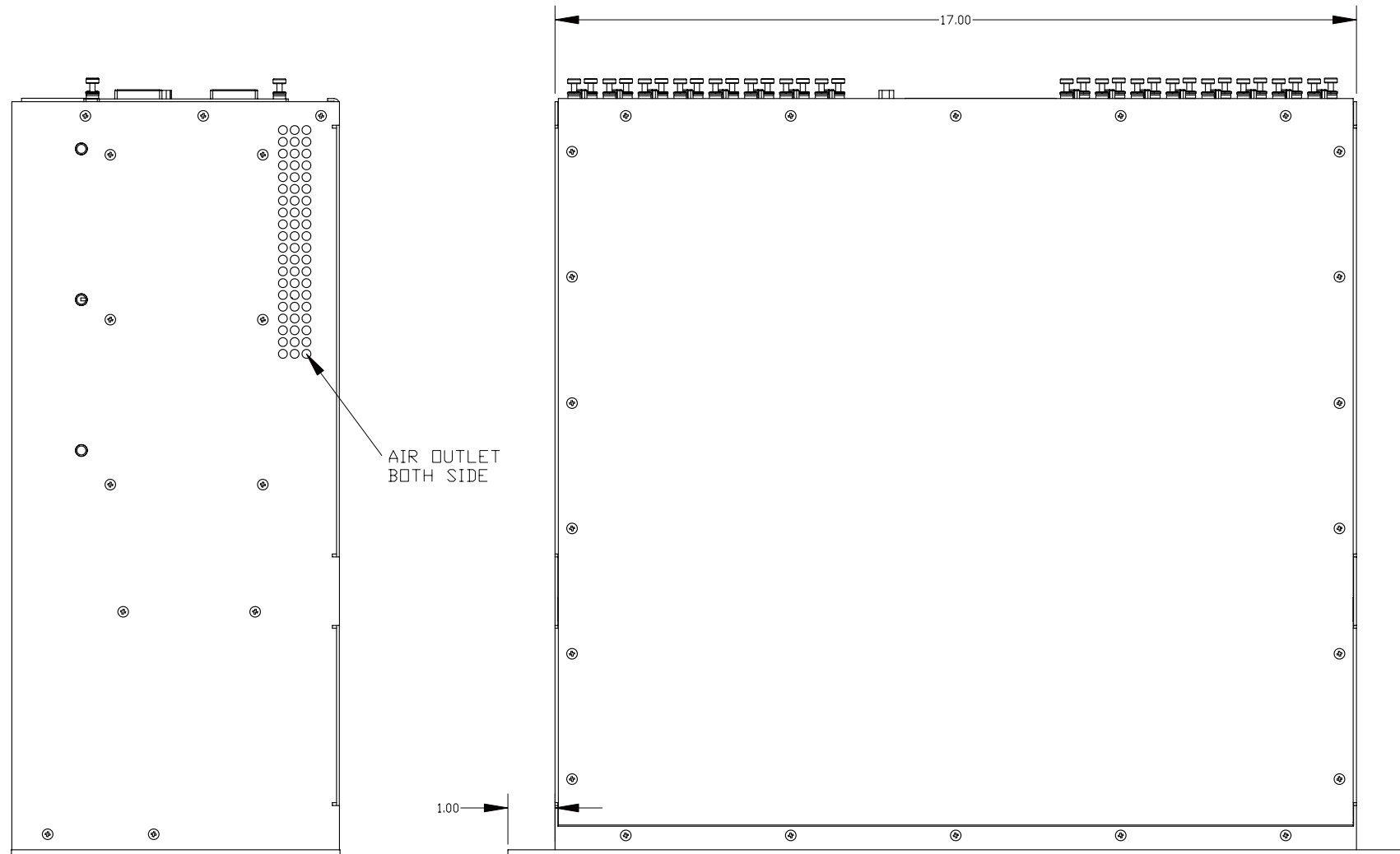

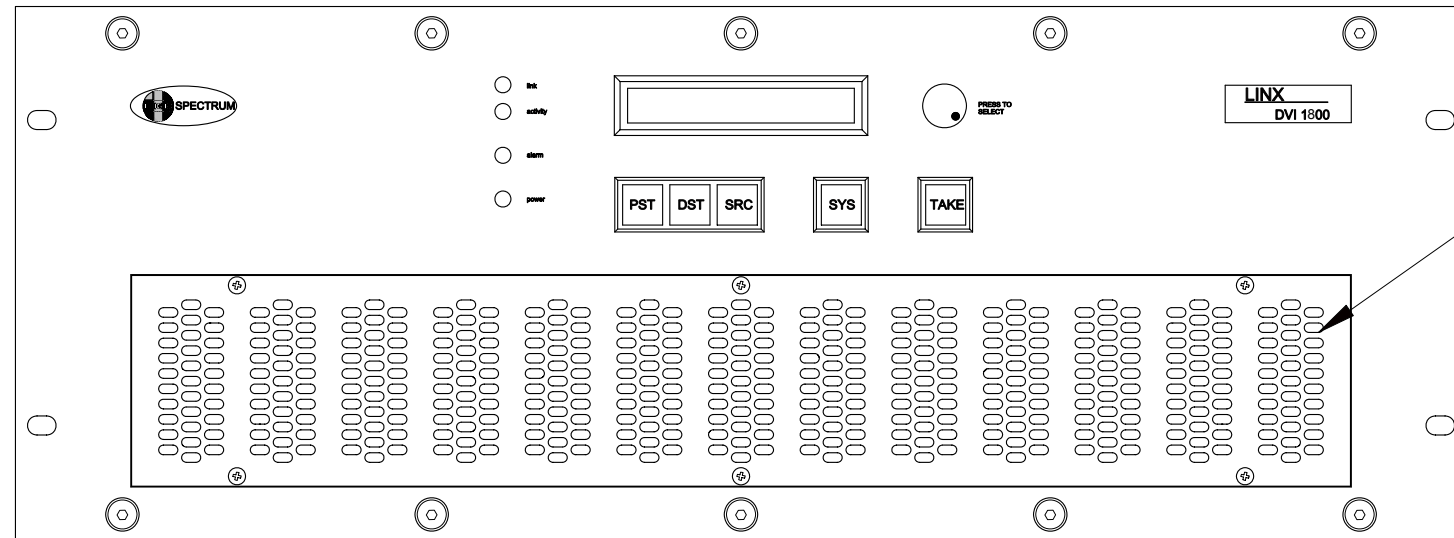


REVISIONS				
REV	DATE	BY	DESCRIPTION	APPROVAL
1	07/23/09	HL	CUSTOMER DWG	---

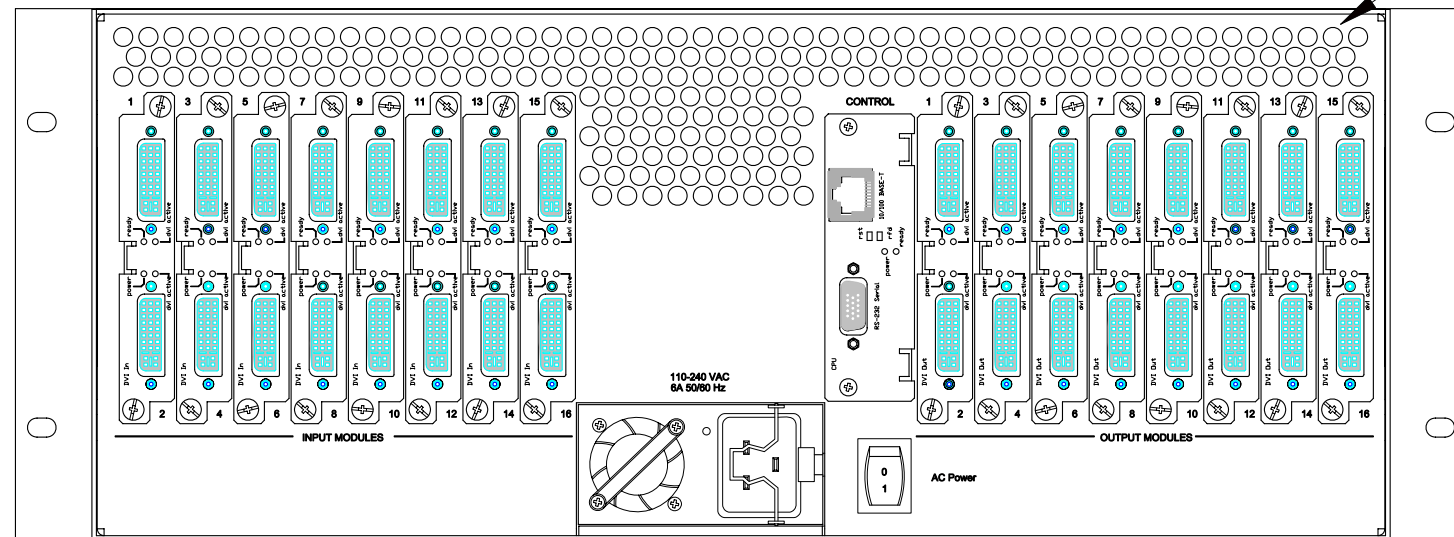


UNLESS OTHERWISE SPECIFIED DIMENSIONS ARE IN INCHES TOLERANCES ARE:		 <b>SPECTRUM</b> 950 MARINA VILLAGE PARKWAY, ALAMEDA, CALIFORNIA	
FRACTIONS ± 1/16	DECIMALS .X ± .03 .XX ± .02 .XXX ± .010		
ORIGINATION	DATE	TITLE: LINX 1800	
DRAWN HL	07/23/09	SIZE D	SCALE FULL
CHECKED ---	---	DWG NO. <b>842-9087-03</b>	
DO NOT SCALE DRAWING		SHEET 1 OF 2	

REVISIONS				
REV	DATE	BY	DESCRIPTION	APPROVAL
1	03/24/09	HL	CUSTOMER DWG	---




**FRONT VIEW**



**REAR VIEW**

AIR INLET

AIR OUTLET

UNLESS OTHERWISE SPECIFIED DIMENSIONS ARE IN INCHES TOLERANCES ARE:		 <b>SPECTRUM</b> 950 MARINA VILLAGE PARKWAY, ALAMEDA, CALIFORNIA	
FRACTIONS ± 1/16	DECIMALS .X ± .03 .XX ± .02 .XXX ± .010		
ORIGINATION	DATE	TITLE: LINX 1800	
DRAWN HL	07/23/09	SIZE D	SCALE FULL
CHECKED ---	---	DWG NO. 842-9087-03	REV 1
DO NOT SCALE DRAWING		SHEET 2 OF 2	